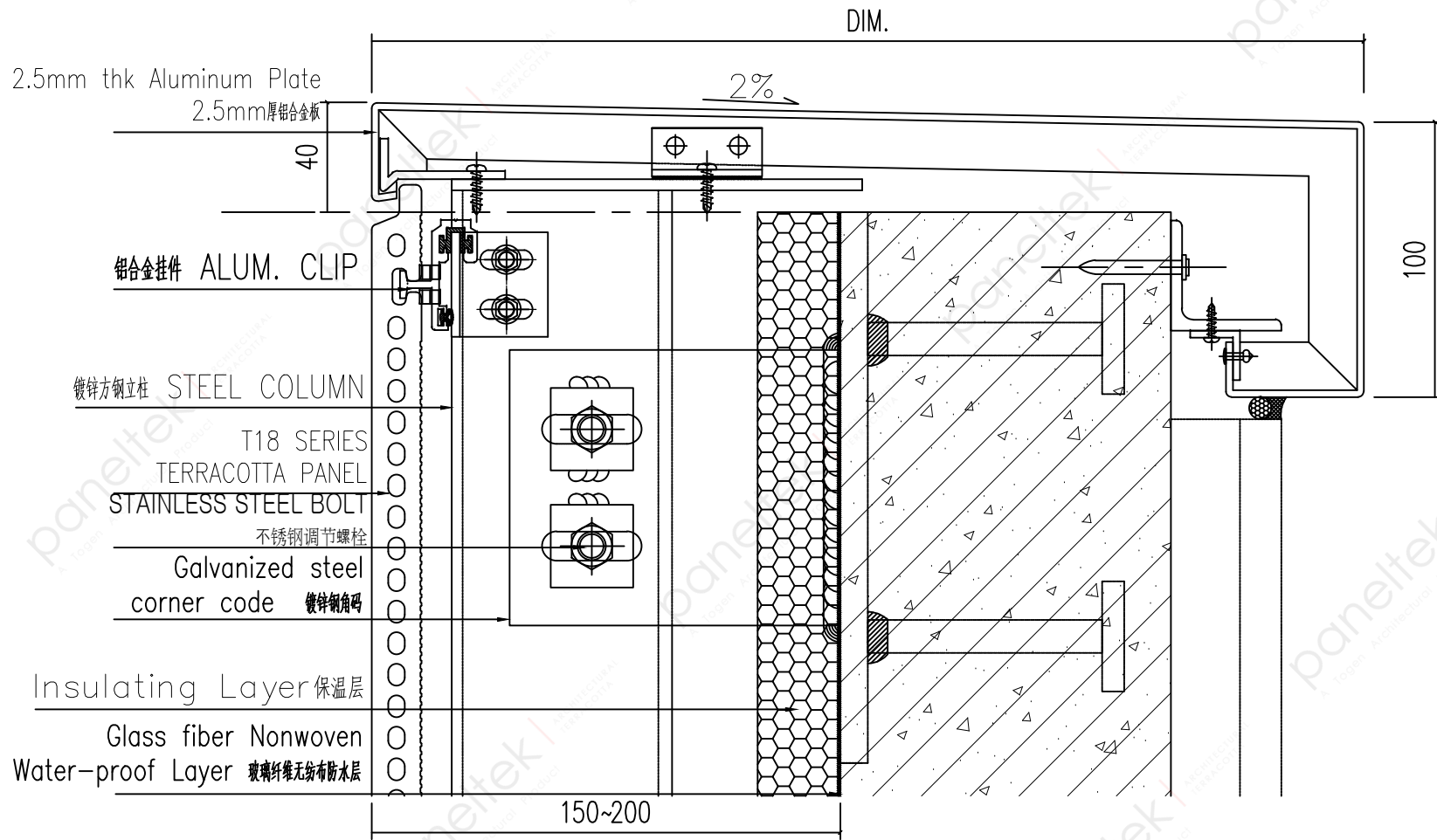


# Detailed drawing of 18mm Thk Terracotta Facade Parapet

---

---



Detailed drawing of Terracotta Facade Parapet 陶板幕墙女儿墙压顶节点图

设计 DESIGNED BY	审核 REVISIONS	图号 DRAWING NO.	JD-12	工程名称 PROJECT	
校对 CHECKED BY	日期 DATE	比例 SCALE	1:3	图名 DRAWING TITLE	VERTICAL JOINT DRAWING

# Detailed drawing of 20mm Thk Terracotta Facade Parapet

---

---

2.5mm thk Aluminum Plate  
2.5mm厚铝合金板

40

铝合金挂件 ALUM. CLIP

镀锌方钢立柱 STEEL COLUMN

T18 SERIES  
TERRACOTTA PANEL

STAINLESS STEEL BOLT  
不锈钢调节螺栓

Galvanized steel  
corner code 镀锌钢角码

150~200

DIM.

2%

100

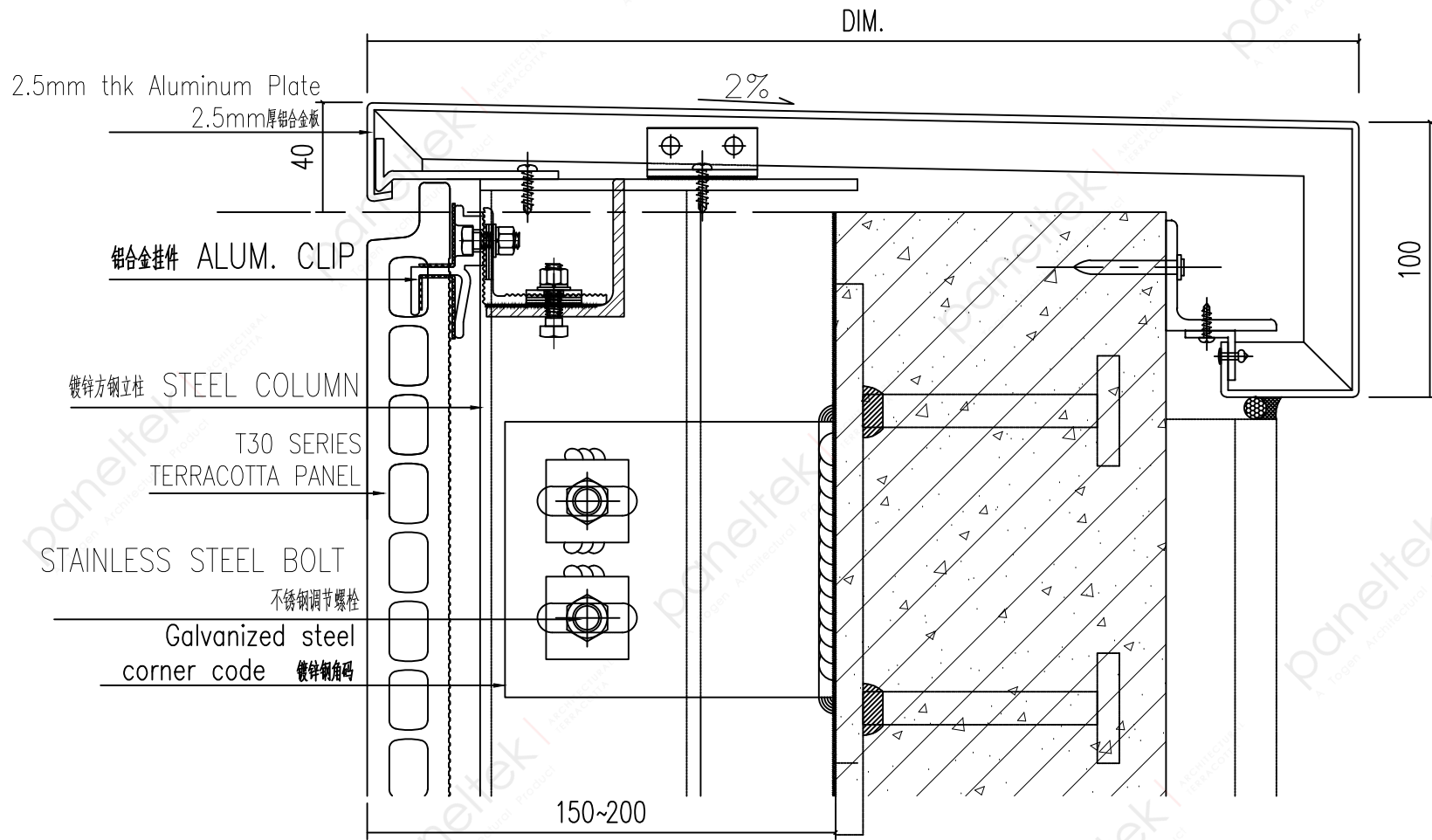
Detailed drawing of Terracotta  
Facade Parapet 陶板幕墙女儿墙压顶节点图

设计 DESIGNED BY	审核 REVISIONS	图号 DRAWING NO.	JD-12	工程名称 PROJECT	
校对 CHECKED BY	日期 DATE	比例 SCALE	1:3	图名 DRAWING TITLE	VERTICAL JOINT DRAWING

# Detailed drawing of 30mm Thk Terracotta Facade Parapet

---

---



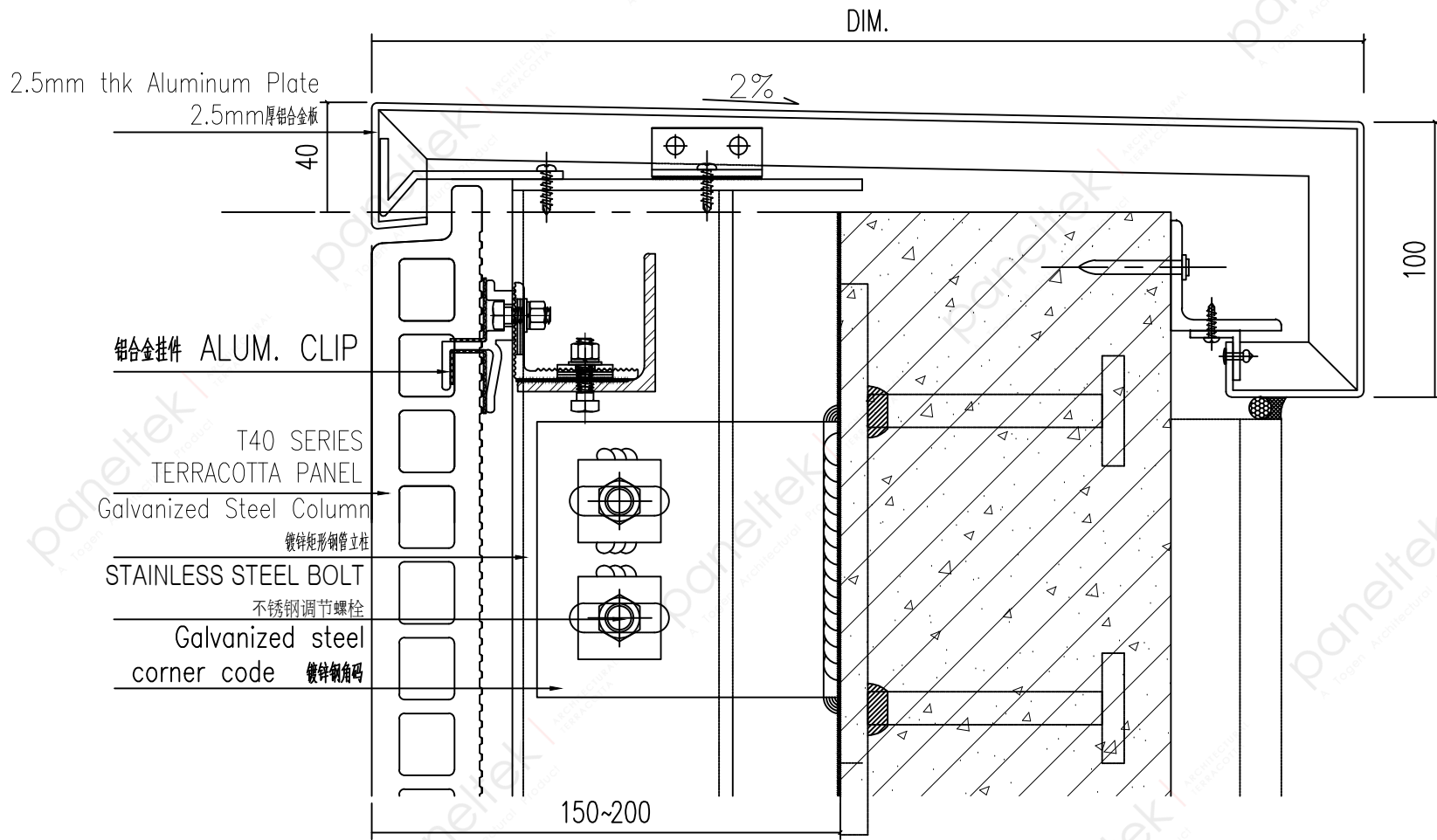
Detailed drawing of Terracotta  
 Facade Parapet 陶板幕墙女儿墙压顶节点图

设计 DESIGNED BY	审核 REVISIONS	图号 DRAWING NO.	JD-12	工程名称 PROJECT	
校对 CHECKED BY	日期 DATE	比例 SCALE	1.3	图名 DRAWING TITLE	VERTICAL JOINT DRAWING

# Detailed drawing of 40mm Thk Terracotta Facade Parapet

---

---



2.5mm thk Aluminum Plate  
2.5mm厚铝合金板

40

铝合金挂件 ALUM. CLIP

T40 SERIES  
TERRACOTTA PANEL

Galvanized Steel Column  
镀锌矩形钢管立柱

STAINLESS STEEL BOLT  
不锈钢调节螺栓

Galvanized steel  
corner code 镀锌钢角码

Detailed drawing of Terracotta  
Facade Parapet 陶板幕墙女儿墙压顶节点图

设计 DESIGNED BY	审核 REVISIONS	图号 DRAWING NO.	JD-12	工程名称 PROJECT	
校对 CHECKED BY	日期 DATE	比例 SCALE	1:3	图名 DRAWING TITLE	VERTICAL JOINT DRAWING