

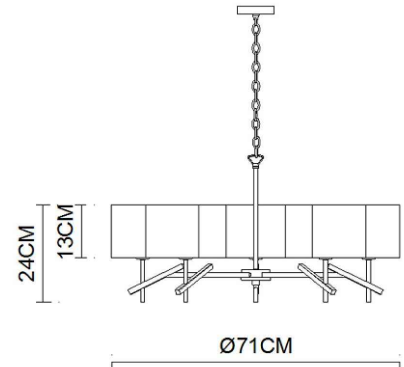
# Specification Sheet

Picture:



Product size:

Name: ----- Cross 5 Pendant  
Code: ----- 3172  
Finish: ----- Polished  
Main Material: -- Stainless steel  
Shade Material: -- Fabric+PVC



Lamp Source: E14

Wattage: 5x40W / 5x9W

Input Voltage: 220~240 V

Lumen: 1700 lm

Switch: Na

Energy Efficiency Class:

Plug: Na

Specification:



Inner Box:

Gross Weight: 12.2KGS

660\*235\*695(mm) 1pc

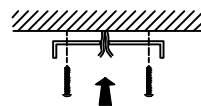
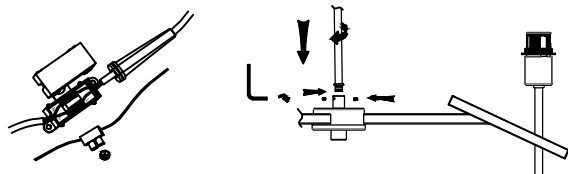
Net Weight: 4.5KGS

Outer Carton:

715\*680\*500(mm) 2pcs

Cable Length / Terminal Block:

Installation Instruction:



size:90\*90\*20

